

T-72B/B1 MAIN BATTLE TANK



ITEM NO: UA72006

●READ BEFORE ASSEMBLY

1. When you use glue or paint, do not near flame, and use in a well-ventiated room.
2. Take extra care in handling photo etch parts in order to avoid injury
3. When you take parts off the runner frame, use modeling scissors and trim excess plastic with a cutter or a file.
4. Glue and paint are not included.
5. This product is only suitable for experienced more than 14 years old.

●装配之前仔细阅读:

1. 勿於近火处使用胶水或油漆, 并 打开窗户保持空气流通。
2. 取蚀刻片时应特别注意安全, 防止利边划伤手指。
3. 从胶架中取出部件时, 应用模型专用剪, 并用界刀或小锉除去多余的胶料。
4. 请使用塑料胶水和油漆, 模型内不含。
5. 本产品不适合14岁以下没有经验的模型爱好者。



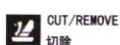
SUPERGLUE
强力胶



WEIGHT
配重



MAKE HOLE
钻孔



CUT/REMOVE
切除



BEND
弯曲



FILE/SAND
锉平



OPTION
选择



NO CEMENT
不涂胶水



DECAL
贴纸

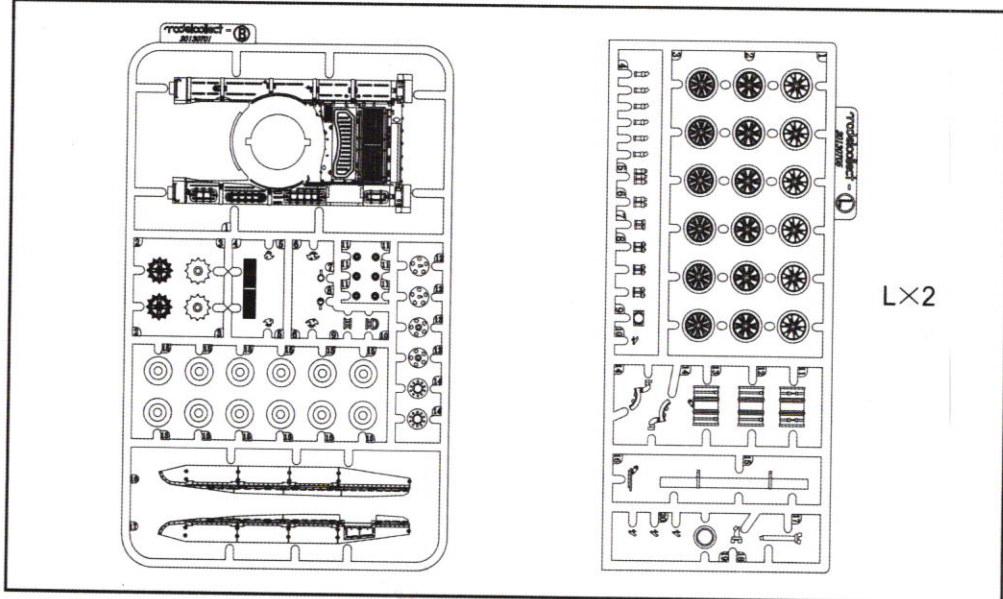
DECAL APPLICATION

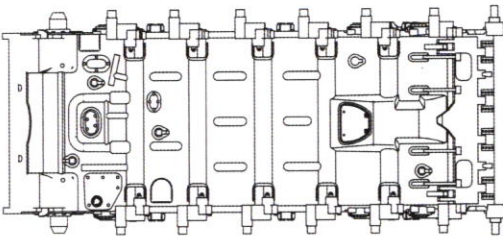
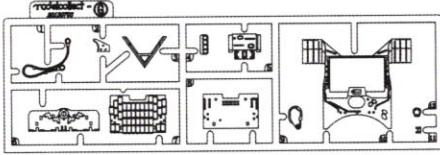
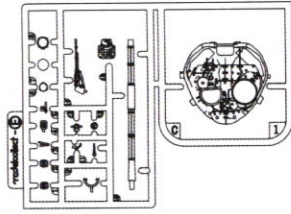
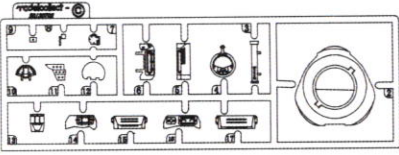
1. Cut off decal from sheet.
2. Dip the decal in tepid water 40° C for about 10 sec. and place on a clean cloth.
3. Hold the backing sheet edge and slide decal onto the model.
4. Move decal into position by wetting decal with finger.
5. Press decal gently down with a soft cloth until excess water and air bubbles are gone.

水贴纸的使用:

1. 从水贴纸上剪下印花。
2. 将印花放入温水中浸10秒, 然后放在干净布上。
3. 拿着印花纸板将印花移到模型上。
4. 手指蘸水将印花移到适当的位置。
5. 用软布轻压印花直至不干, 汽泡消失。

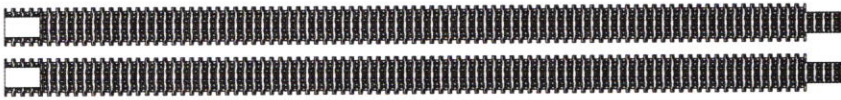
Parts





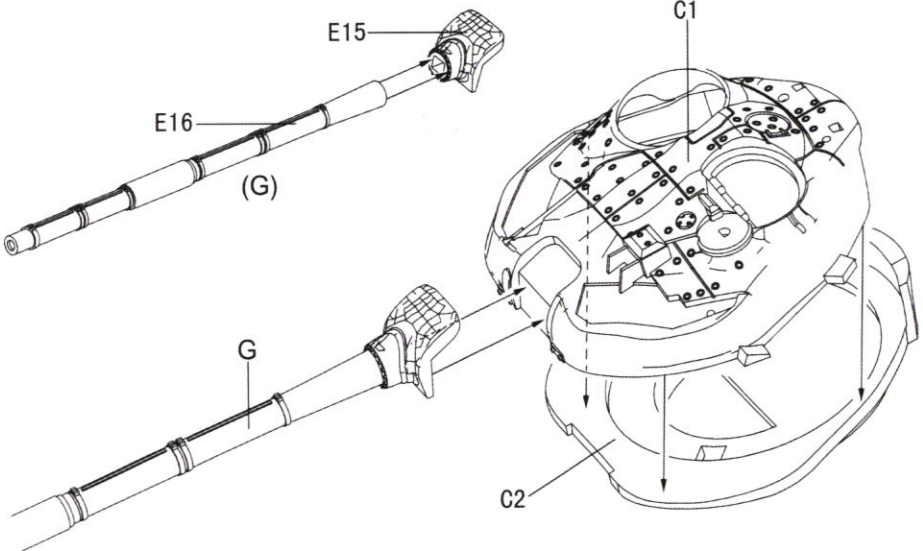
Metal bottom of the vehicle

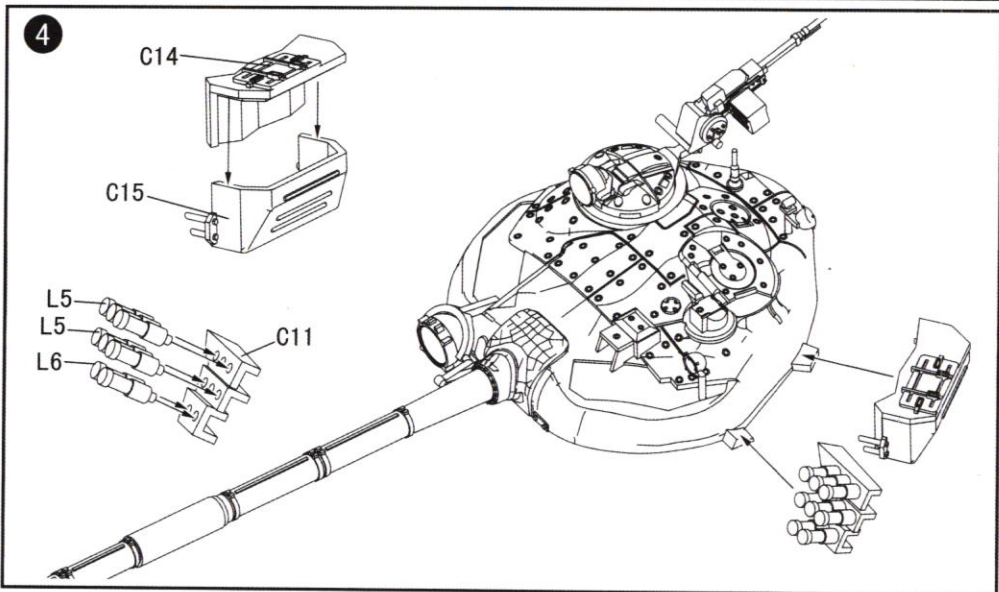
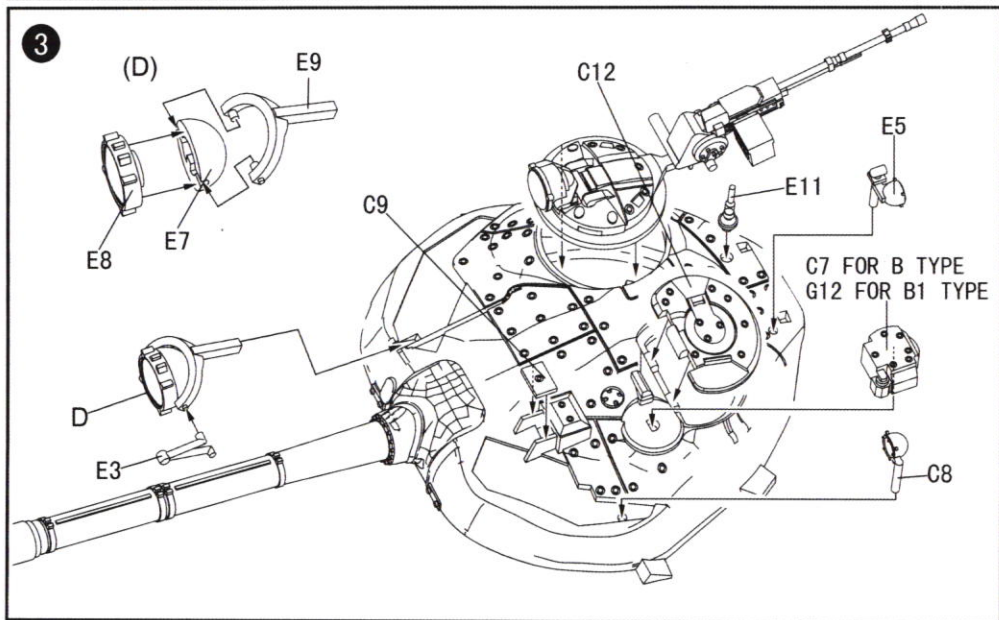
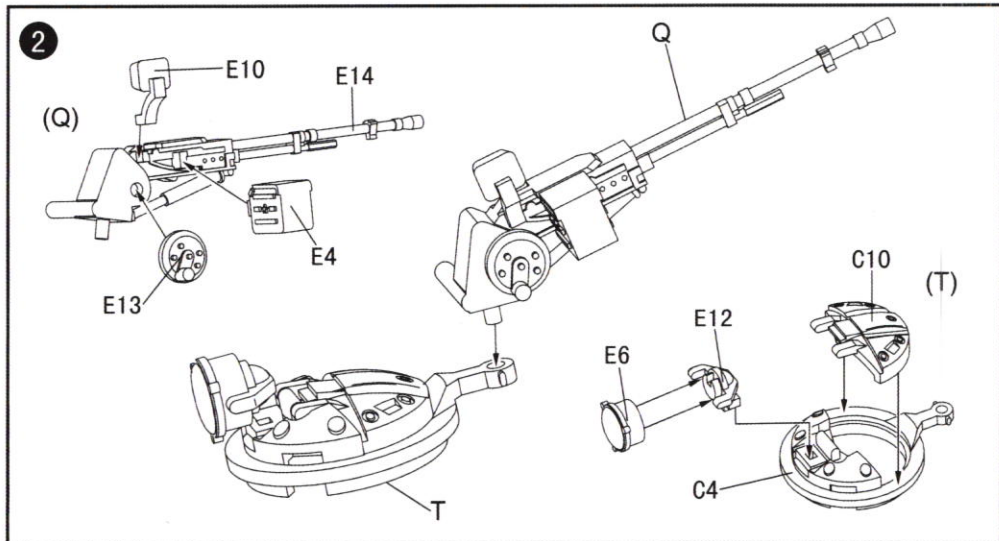
Decal

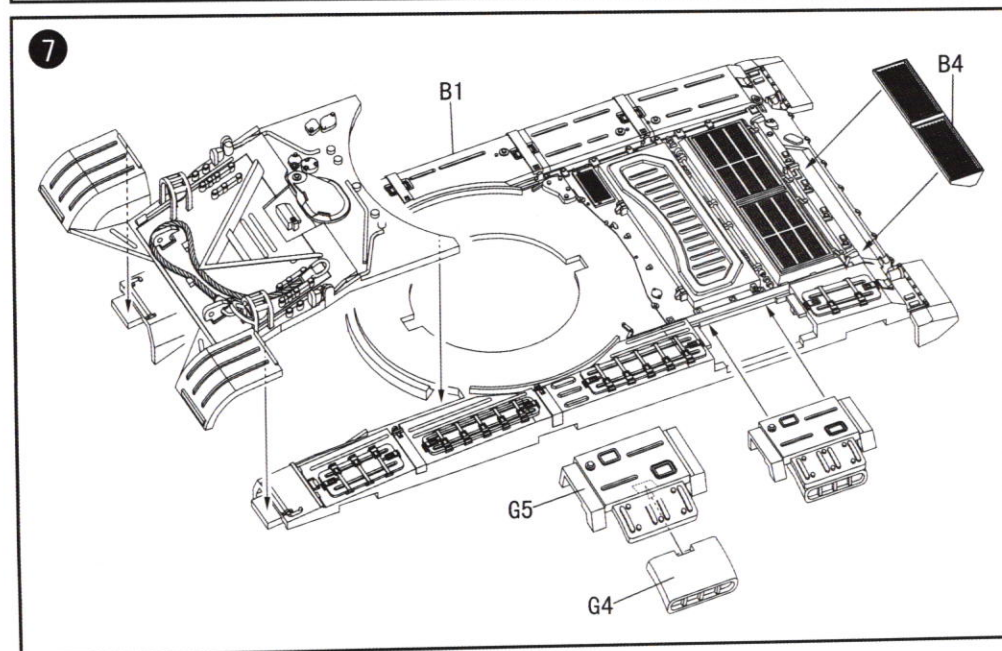
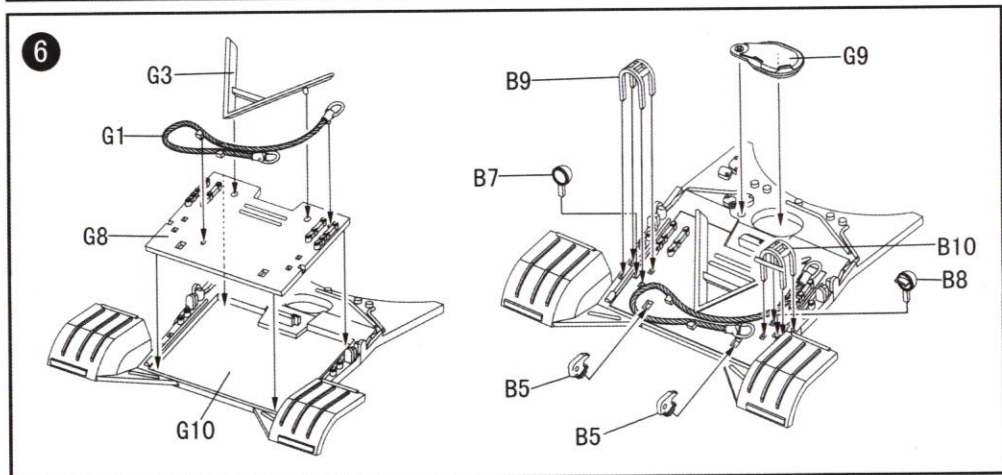
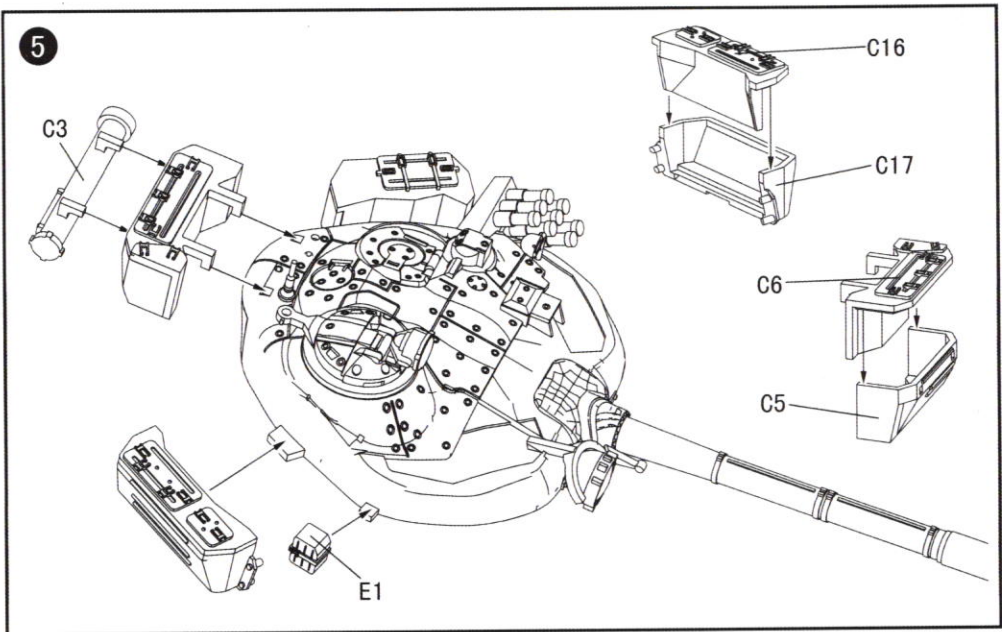


Soft rubber crawler

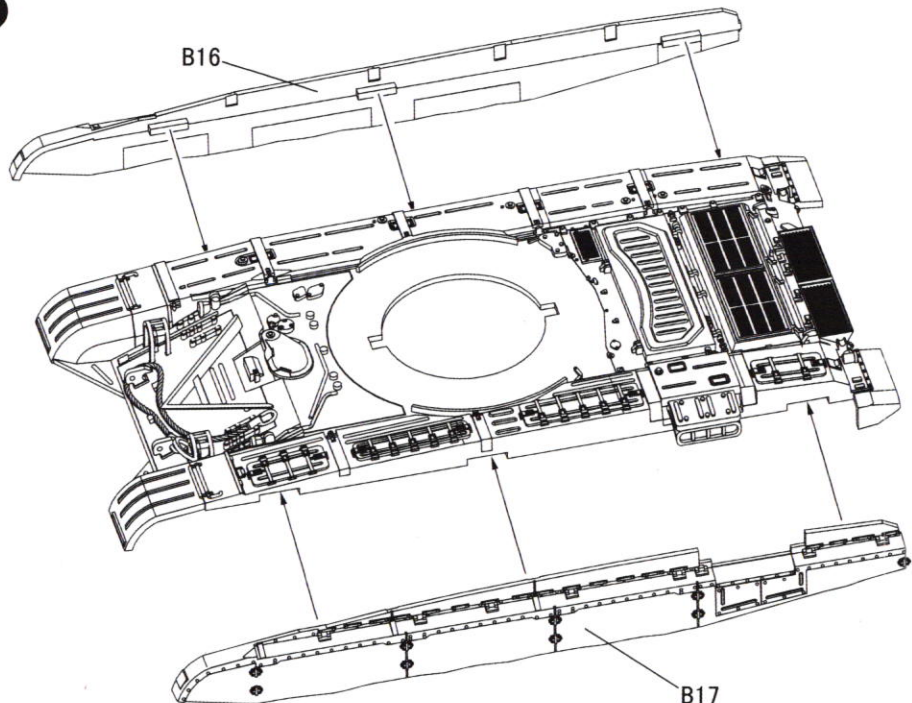
1



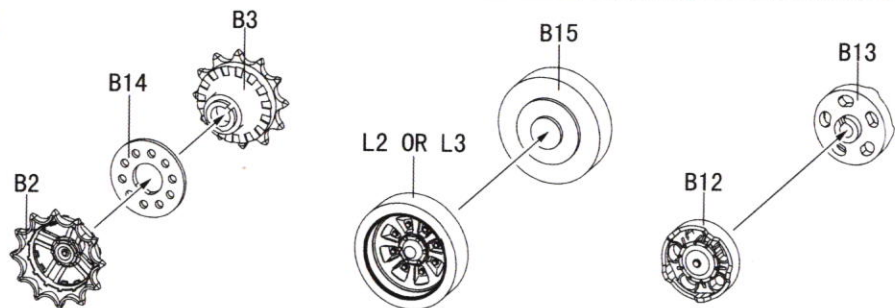




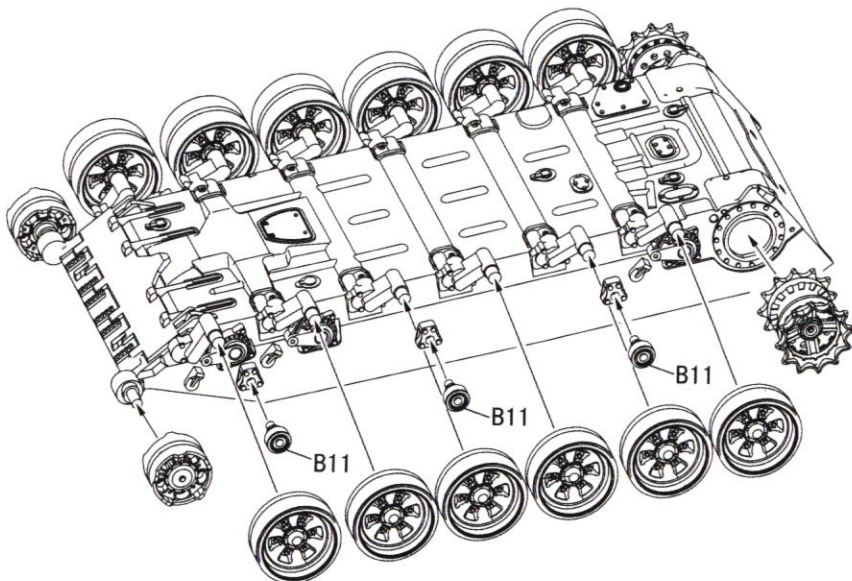
8

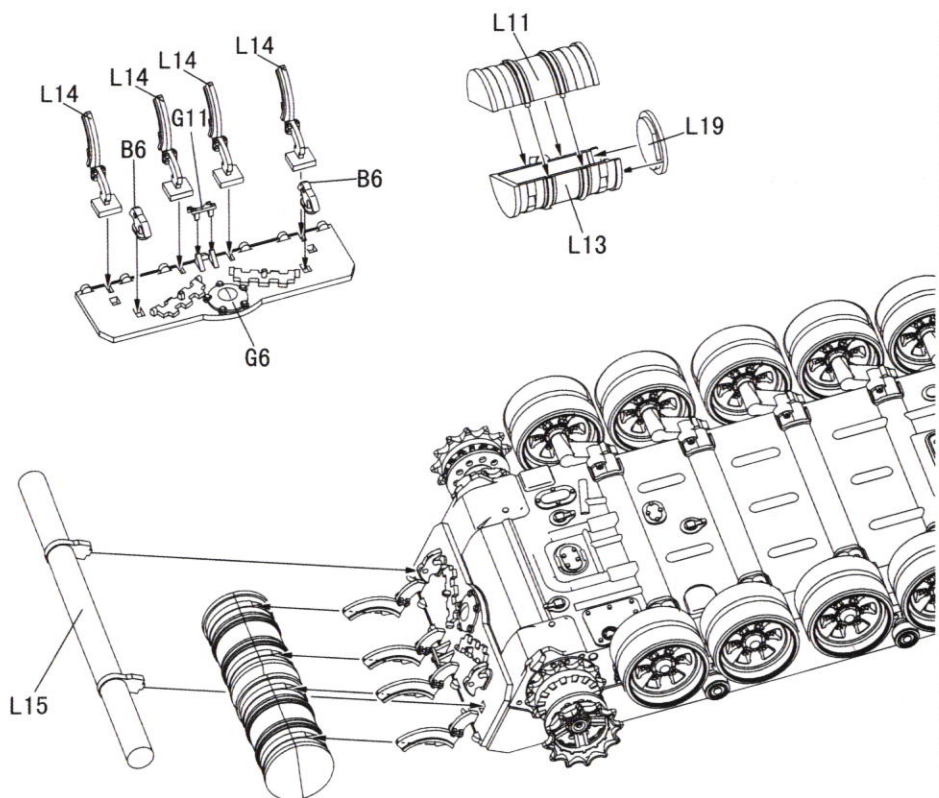
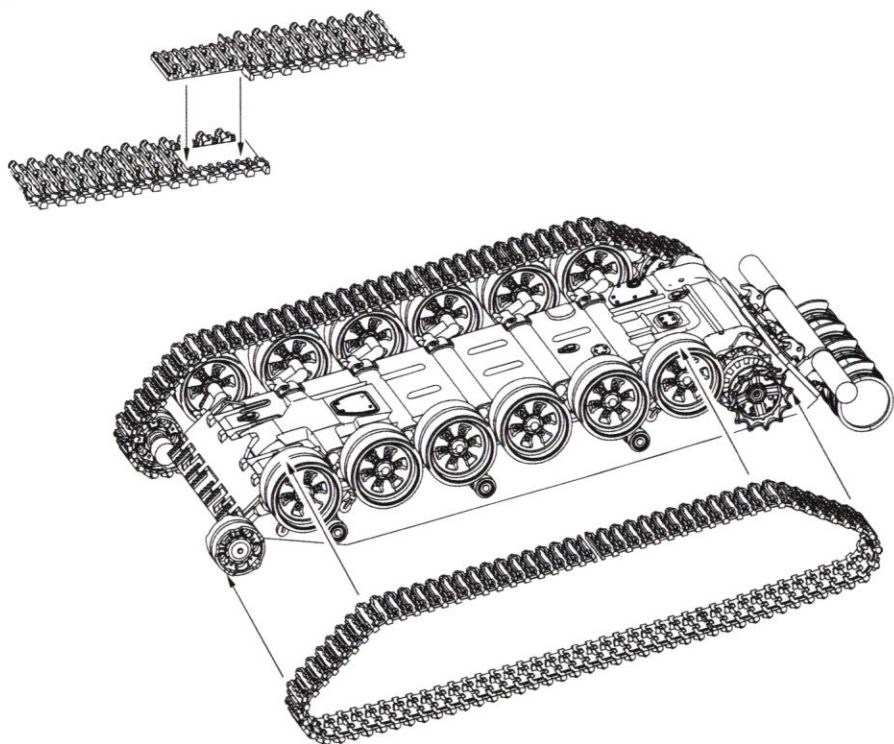


9

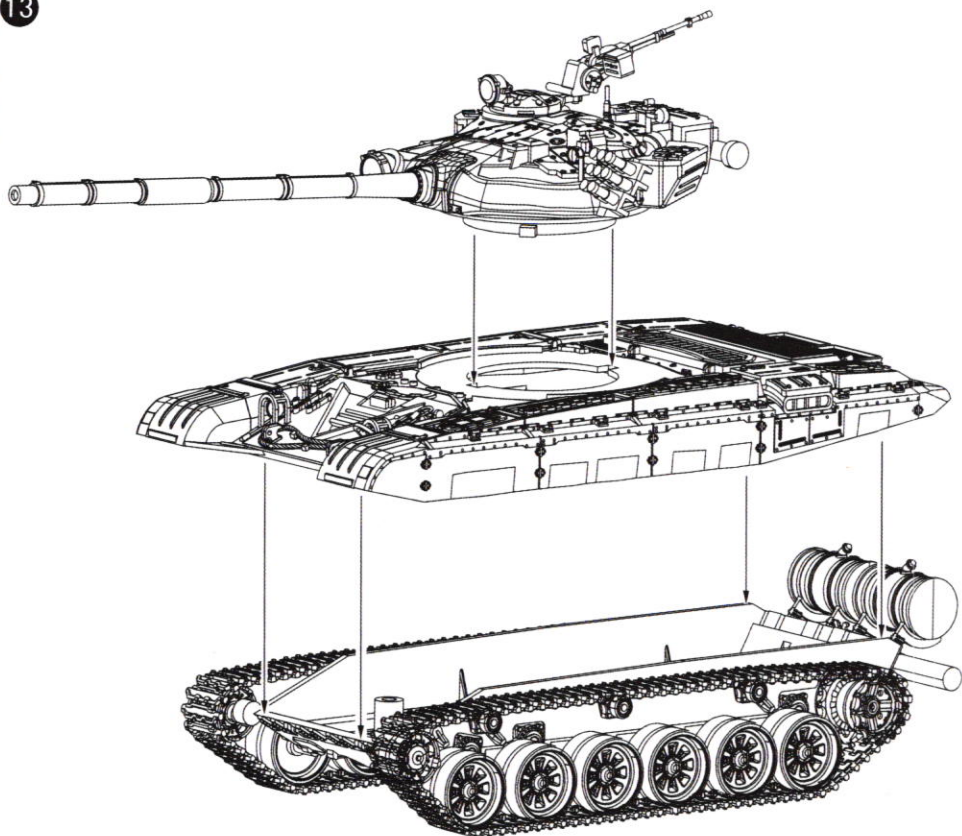


10



11**12**

13



Painting & Maring guide

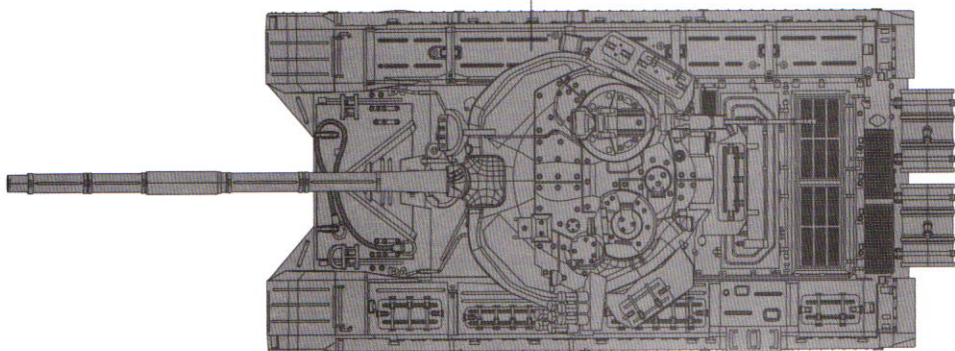
涂装同标贴指示

PAINT REFERENCE COLOUR

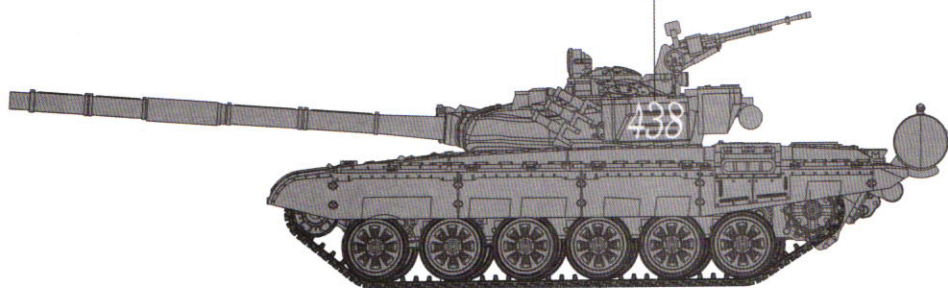
Color	Mr.Hobby		
Dark Green(暗绿)	H 64	70	A
Field Gray(2)(原野灰)	H 48	52	B
Flat Black(消光黑)	H 12	33	C
Black Gray(黑灰)	H 77	116	D
Sand Yellow(沙黄)	H 313	313	E

T-72B Main Battle Tank, Russian Army 2003

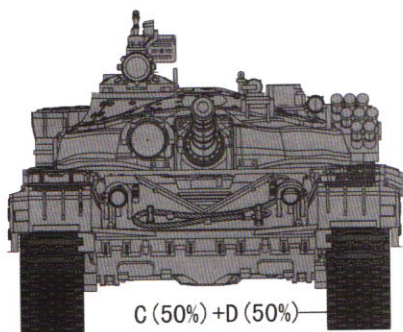
A (40%) + B (60%)



33



C (50%) + D (50%)



C (50%) + D (50%)

